

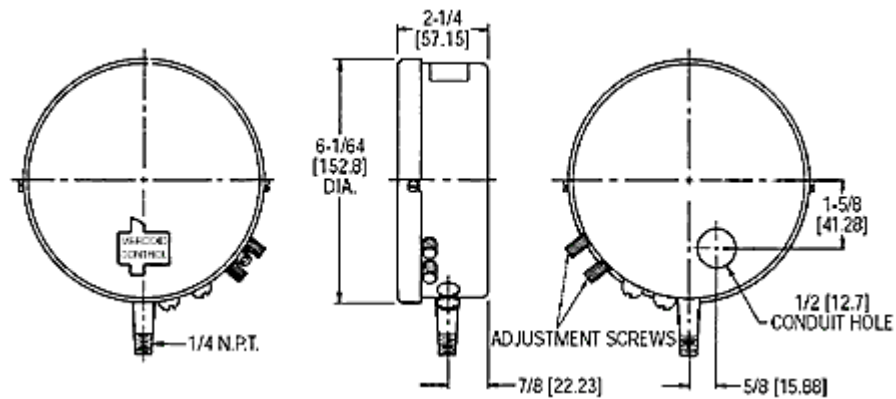


SpringField Controls

Home | Products | Enquiry

Springfield Controls MA761 Bourdon Tube Pressure Switches

Visible Setpoint, Adjustable Deadband, Pressure Ranges to 5000 psi (345 bar).



DESCRIPTION

Model MA761 combines extremely high sensitivity and repeatability with easily adjustable set and reset points through non-interactive external adjustments. Visible calibrated dial for set points and on/off indicator to indicate switch actuation are included. Choose either high current snap-switch or hermetically sealed contact mercury switch. The DS Model has a fixed deadband.

SPECIFICATIONS

Max. Temperature: 180°F (82°C). For higher temperature media applications, a remote connection or siphon (pigtail) should be used.

Pressure connection: 1/4" NPT.(1/2" on range 15S).

Housing: pressed steel with transparent cover.

Wiring connections: 3 screw type.

Wetted parts: same as Bourdon tube material.

Weight: 4Ib. (1.8 kg) (std); 6Ib. (2.7 kg) (wea-proof); 8Ib. (3.6 kg) (exp-proof).

FEATURES

- o MA Series is equipped with two external adjustments. One sets high pressure operating point, the other sets reset point. Deadband or the difference between set and reset points is adjustable over the full scale. DS Series has a single external adjustment and fixed deadband.
- o Visible calibrated dial, on/off indication.
- o SPDT snap-action or sealed mercury switches.
- o Minimum deadband obtainable at any point in range.
- o Pressure Ranges vacuum to 5000 psig.
- o U.L. and C.S.A. listed. Many models FM listed.